

**GENERAL DESCRIPTION:**  
 THE BOLLARD SHOP BOLT DOWN BOLLARD IS EASY TO INSTALL AND RELOCATE - BOTH INDOORS AND OUT. MADE FROM STEEL, IT FEATURES A WIDE SURFACE FLANGE FOR EFFECTIVE STABILITY. PRE-DRILL HOLES IN EXISTING CONCRETE AND BOLT DOWN FLANGE.

**GENERAL SPECIFICATIONS:**  
 DIAMETER: 4-1/2" OD  
 MATERIAL: ASTM A36 STEEL  
 FINISH: PRIMER

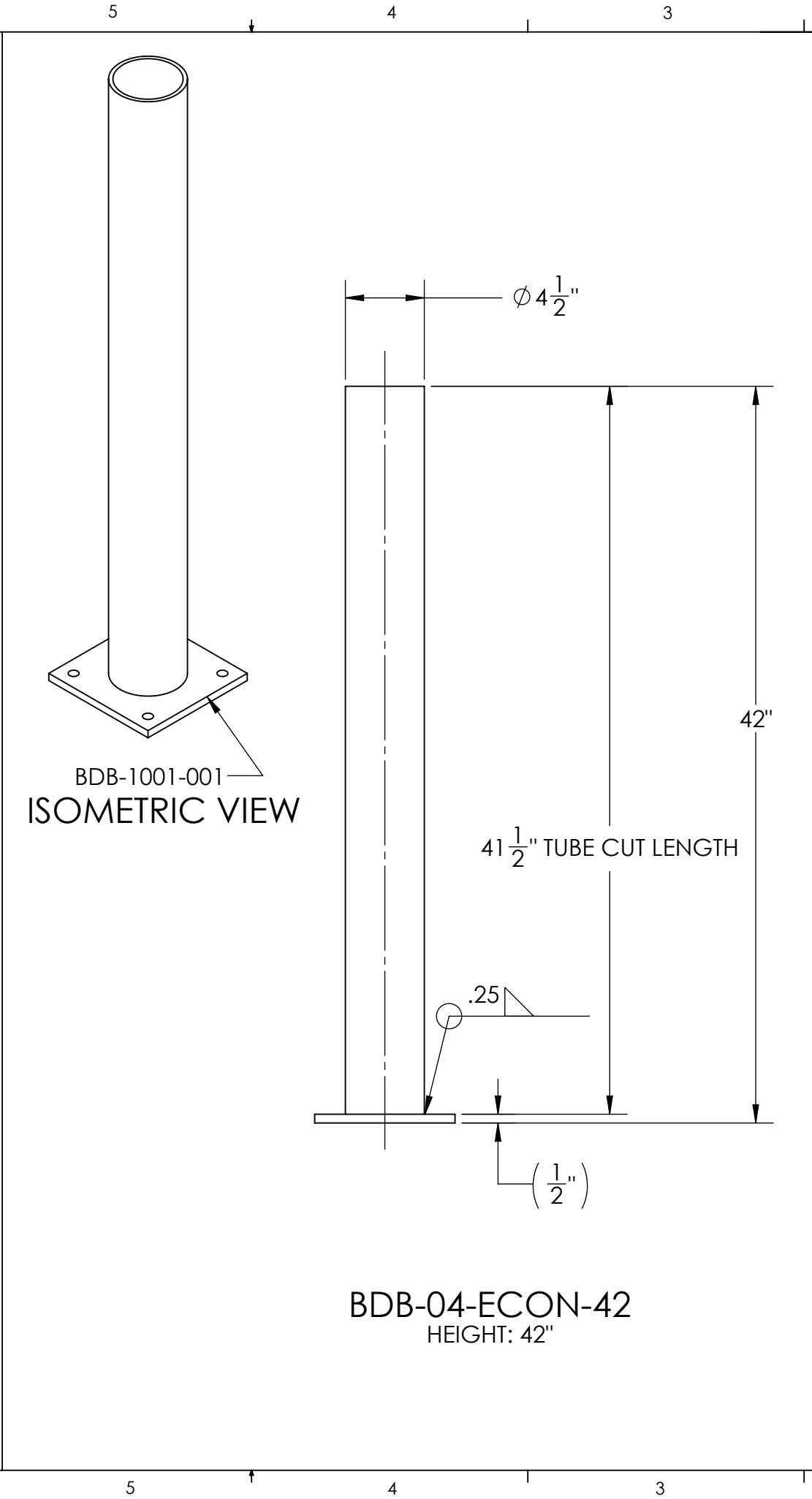
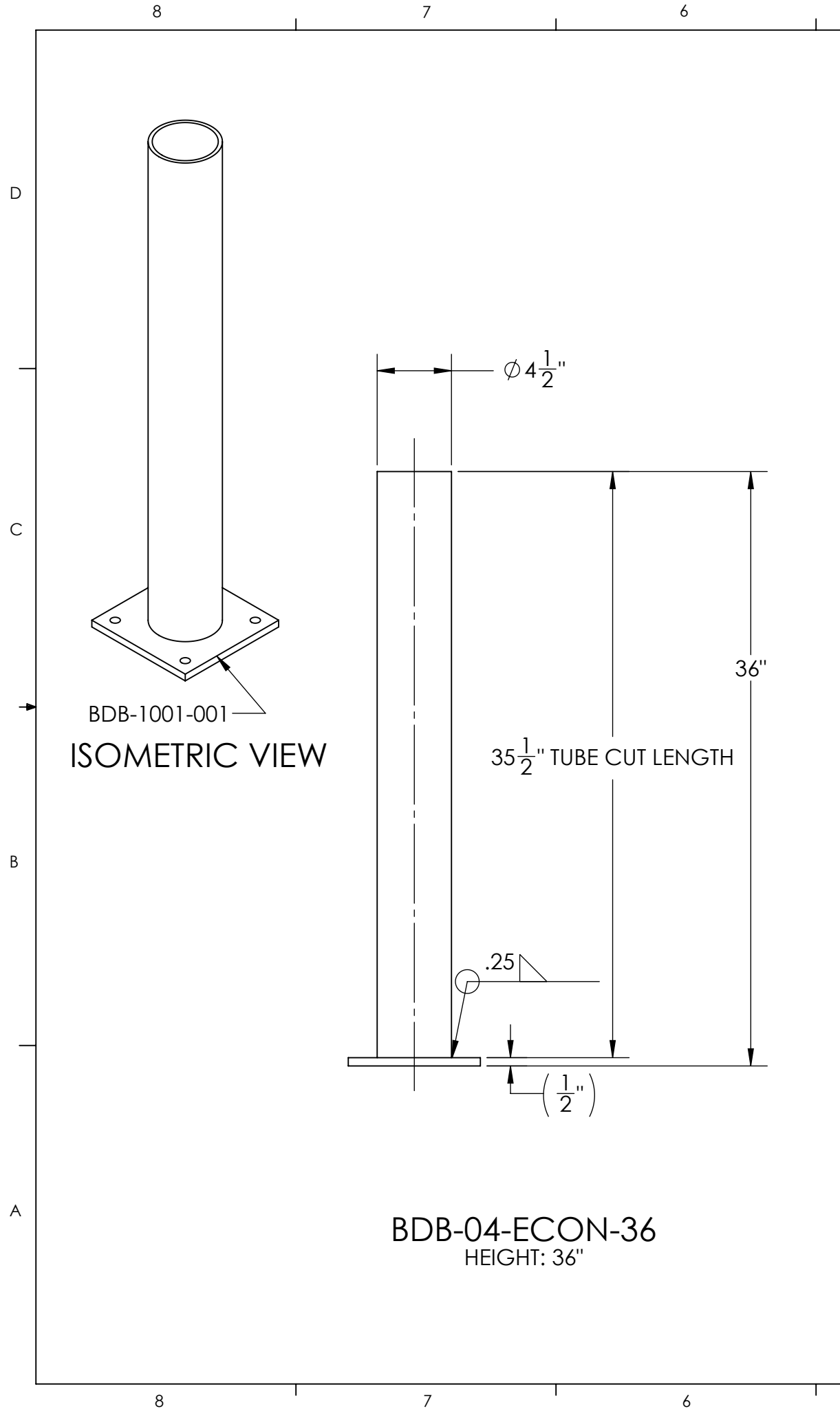
AVAILABLE CONFIGURATIONS		
PART NO.	HEIGHT	WEIGHT
BDB-04-ECON-36	36"	41.6 LB
BDB-04-ECON-42	42"	47.2 LB
BDB-04-ECON-48	48"	52.7 LB



**THE BOLLARD SHOP**  
 15310 ENDEAVOR DR  
 SUITE 200  
 NOBELSVILLE, IN 46060  
 317-917-2240

DRAWN	11/10/20	TITLE:	<b>4" ECONOMY BOLT DOWN BOLLARD</b>
RELEASED	3/19/21		
REVISED	N/A		
UNLESS OTHERWISE SPECIFIED, DIMENSIONS AND TOLERANCES ARE IN INCHES AND ARE ± .125"			
SIZE	DWG. NO.	REV	
<b>B</b>	<b>BDB-04-ECON</b>	<b>0</b>	
SCALE: NONE			SH 1


INSTALLATION PARTS LIST			
ITEM NO.	PART NUMBER	DESCRIPTION	QTY.
1	BDB-04-ECON-XX	4" ECONOMY BOLT DOWN BOLLARD	1
2	BDBSB54	HEX HEAD ANCHOR - 1/2" x 4.0" LG, ZINC PLATED	4



REV.	DESCRIPTION	DATE
0	INITIAL RELEASE	3/19/21

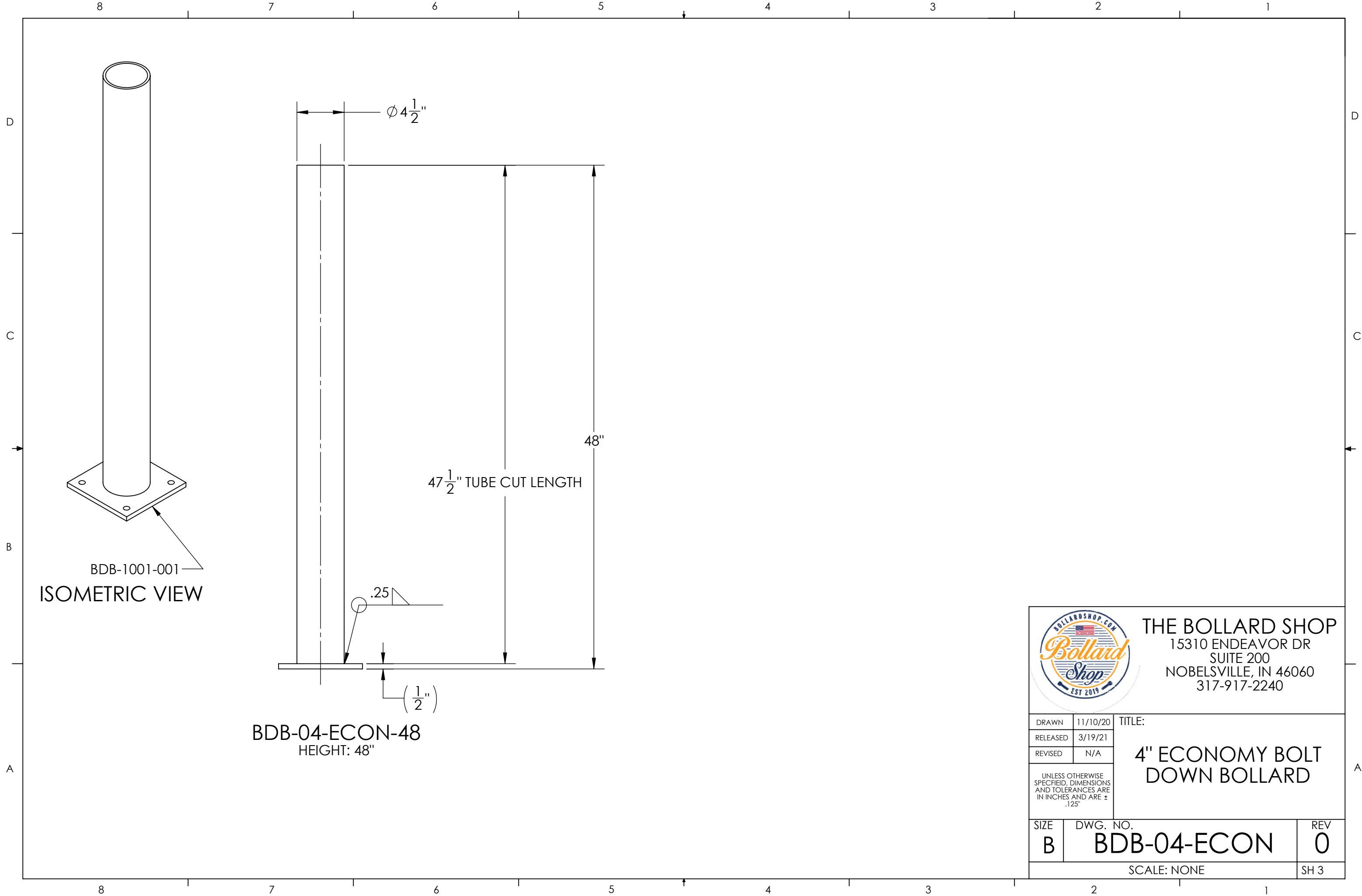
NOTES:

- MATERIAL: ASTM A36 STEEL
- FINISH: GREY PRIMER
- WELD PER BEST PRACTICES
- TUBE SPECIFICATIONS: 4-1/2" OD X .25" WALL
- TUBE TO BE CENTERED ON BASE PLATE.



**THE BOLLARD SHOP**  
 15310 ENDEAVOR DR  
 SUITE 200  
 NOBELSVILLE, IN 46060  
 317-917-2240

DRAWN	11/10/20	TITLE:
RELEASED	3/19/21	<p><b>4" ECONOMY BOLT DOWN BOLLARD</b></p>
REVISED	N/A	
UNLESS OTHERWISE SPECIFIED, DIMENSIONS AND TOLERANCES ARE IN INCHES AND ARE ± .125"		
SIZE	DWG. NO.	REV
B	BDB-04-ECON	0
SCALE: NONE		SH 2



BDB-1001-001  
ISOMETRIC VIEW

BDB-04-ECON-48  
HEIGHT: 48"



**THE BOLLARD SHOP**  
15310 ENDEAVOR DR  
SUITE 200  
NOBELSVILLE, IN 46060  
317-917-2240

DRAWN	11/10/20
RELEASED	3/19/21
REVISED	N/A

TITLE:  
**4" ECONOMY BOLT  
DOWN BOLLARD**

UNLESS OTHERWISE SPECIFIED, DIMENSIONS AND TOLERANCES ARE IN INCHES AND ARE ± .125"

SIZE <b>B</b>	DWG. NO. <b>BDB-04-ECON</b>	REV <b>0</b>
------------------	--------------------------------	-----------------

SCALE: NONE SH 3