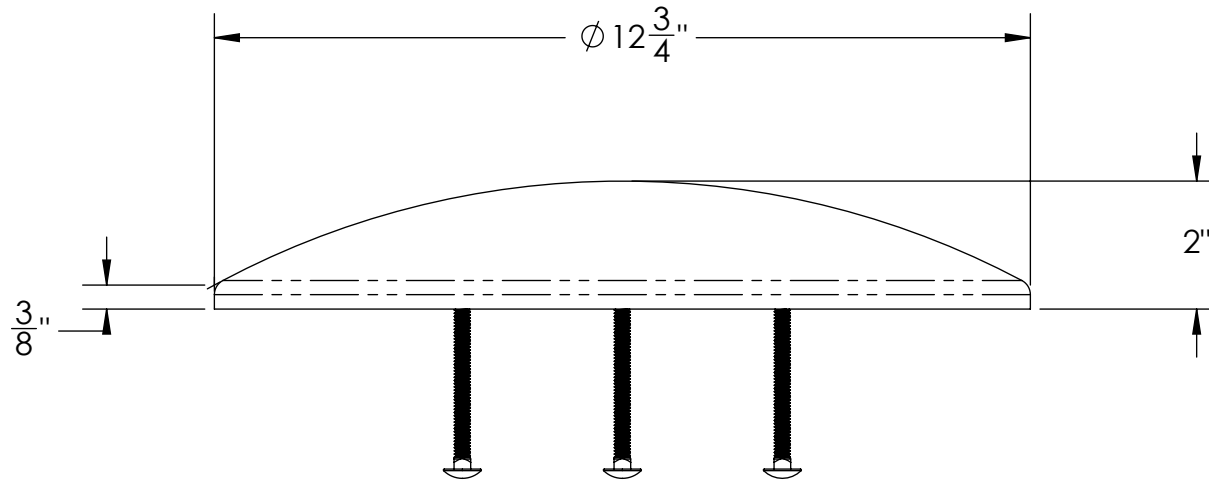
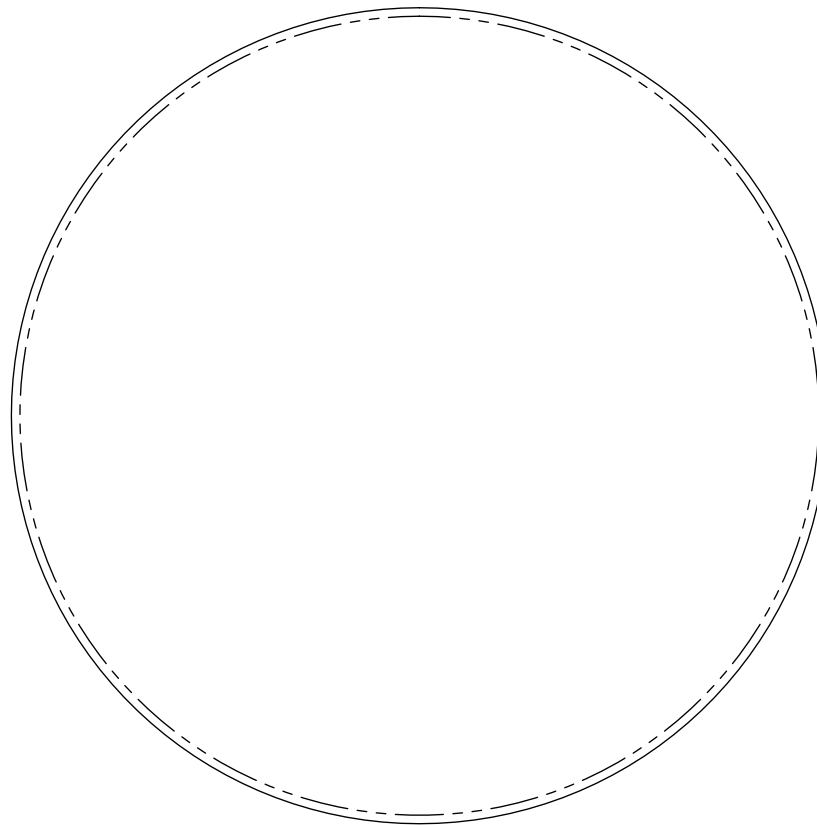


ISOMETRIC VIEW



GENERAL DESCRIPTION

TOPGARD CAPS PROVIDE A LOW COST ALTERNATIVE TO TRADITIONAL BOLLARD HAND-FINISHING. THEY PROVIDE A CLASS A FORM FINISH IN A FRACTION OF THE TIME IT TAKES TO FINISH A BOLLARD BY HAND. WITH AS MUCH AS 90% LABOR SAVINGS AND NO PUNCH LIST, TOPGARD IS A PRODUCT MADE BY CONTRACTORS FOR CONTRACTORS.

GENERAL SPECIFICATIONS

WEIGHT: 11.5 LB
 MATERIAL: PRECAST CONCRETE
 INSERTS: 3X 1/4" SETTING INSERTS
 BOLTS: 3X 1/4" X 4" CARRIAGE



TOPGARD
 Construction Products

15310 ENDEAVOR DR
 SUITE 200
 NOBELSVILLE, IN 46060
 317-917-2240

DRAWN	08/15/22
RELEASED	09/08/22
REVISED	N/A

TITLE:
BOLLARD CAP - 12"

UNLESS OTHERWISE SPECIFIED, DIMENSIONS AND TOLERANCES ARE IN INCHES AND ARE ± .125"

SIZE	DWG. NO.	REV
B	TG12	0

SCALE: NONE SH 1