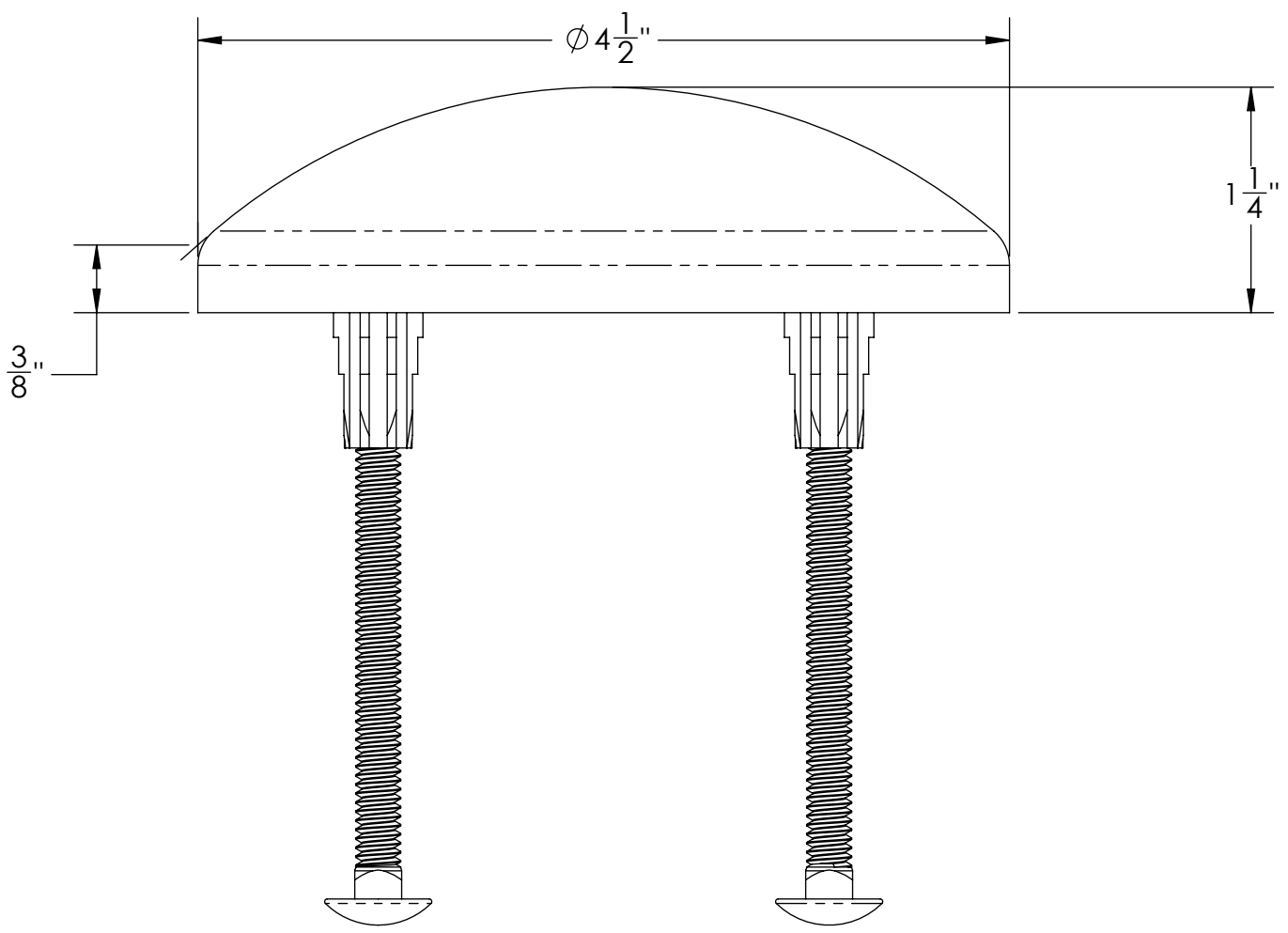
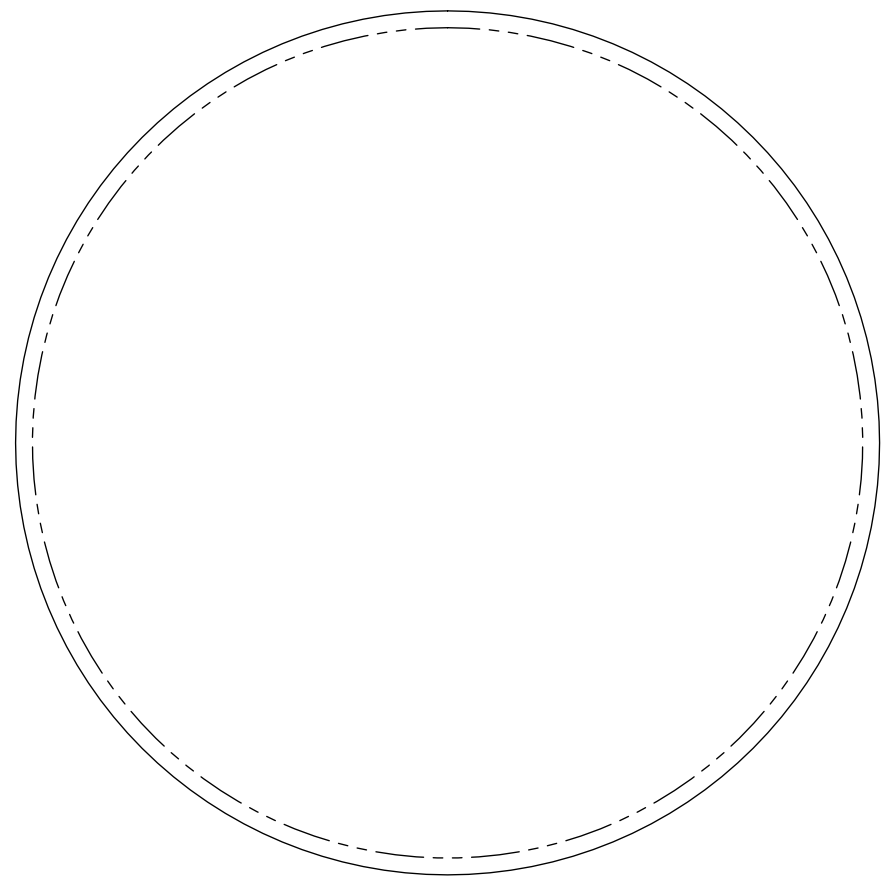


ISOMETRIC VIEW



**GENERAL DESCRIPTION**

TOPGARD CAPS PROVIDE A LOW COST ALTERNATIVE TO TRADITIONAL BOLLARD HAND-FINISHING. THEY PROVIDE A CLASS A FORM FINISH IN A FRACTION OF THE TIME IT TAKES TO FINISH A BOLLARD BY HAND. WITH AS MUCH AS 90% LABOR SAVINGS AND NO PUNCH LIST, TOPGARD IS A PRODUCT MADE BY CONTRACTORS FOR CONTRACTORS.

**GENERAL SPECIFICATIONS**

WEIGHT: 1.5 LB  
 MATERIAL: PRECAST CONCRETE  
 INSERTS: 2X 1/4" SETTING INSERTS  
 BOLTS: 2X 1/4" X 4" CARRIAGE



**TOPGARD**  
 Construction Products  
 15310 ENDEAVOR DR  
 SUITE 200  
 NOBELSVILLE, IN 46060  
 317-917-2240

DRAWN	08/15/22	TITLE:
RELEASED	09/08/22	
REVISED	N/A	
UNLESS OTHERWISE SPECIFIED, DIMENSIONS AND TOLERANCES ARE IN INCHES AND ARE $\pm .125"$		<b>BOLLARD CAP - 4"</b>
SIZE	DWG. NO.	
<b>B</b>	<b>TG4</b>	REV <b>0</b>
SCALE: NONE		SH 1